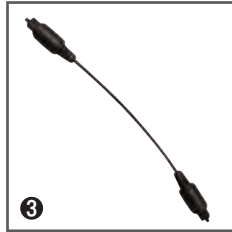


EXSOUND Seaturtle User's Manual



Package Contents

1. One EXSOUND Seaturtle Decoder Box
2. One Power Adaptor
3. One Optical Cable
4. One User's Manual

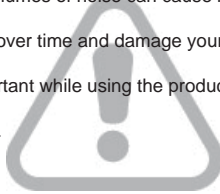


Safety Notice

WARNING: Continued exposure to high volumes of noise can cause long-term hearing damage.

Your ears will adapt to loud volume levels over time and damage your hearing even if you don't feel any discomfort.

Keeping the volume at a safe level is important while using the product. The louder the sound is set, the less time it takes to affect your hearing.



Product Features / Hardware Diagram

Product Features:

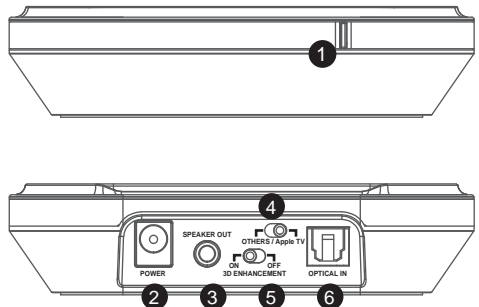
EXSOUND SeaTurtle – Enable Your AppleTV or Other Set-top Box /
DVD / XBOX 360® / PS3™ with Dolby Digital 5.1 Surrounding Sound via Dolby Virtual Speaker.

- Unique ID to Match AppleTV ID, Connect with AppleTV with Digital Input (S/PDIF)
- Also Work with Other Set-top Box / DVD / XBOX 360® / PS3™ with Digital Input (S/PDIF)
- A Decoder Box That Automatically Power On/ Off & Identify Dolby Digital 5.1 & PCM Input Formats.
- Dolby Approved for Dolby Digital 5.1, Pro Logic II & Dolby Virtual Speaker
- Decode Dolby Digital 5.1 Down Mix to Dolby Virtual Speaker with Surrounding Sound
- Empower Stereo Game/Music/Movie to 5.1 Surrounding Sound With Designated Mode
- Enlarge the Sound Stage with 3D Surrounding Sound Effect

Hardware Diagram: EXSOUND SeaTurtle Decoder Box

EXSOUND SeaTurtle Decoder Box

1. LED Switch For Mode Selection
2. Power Adaptor Input
3. Output of 2.1 Channel Speakers
4. Switch For Input Device Selection
5. 3D Surrounding Sound Effect Switch
6. Input of Apple TV / Set-top Box / DVD /
XBOX 360® / PS3™(S/PDIF) Signals



Product Operation & LED Indicator

Product Operation

1. Switch Modes By Tapping The LED Indicator Light.
2. Switch On/ Off 3D Sound Effect to Decide The Enhancement of The Sound Stage.
3. Reset Button (Reset to Factory Defaults setting). Press the LED Light for Three Seconds and It Will Reset to The Factory Defaults Setting with The LED Flashing for 2 Times.

LED Indicator

For Dolby Digital 5.1 as The Signal:

LED Color	Green	Cyan	Blue
Sound Effect	Original Sound	Reference	Wide

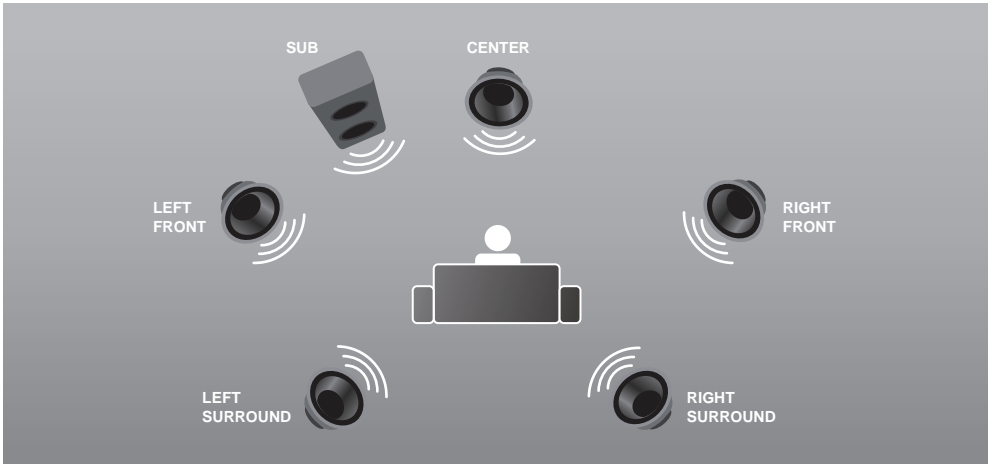
For Dolby Digital 2.1 or PCM as The Signal:

LED Color	Green	Purple	Red	Yellow	White
Sound Effect	Original Sound	Reference With Music Mode	Wide With Music Mode	Reference With Movie Mode	Wide With Movie Mode

About Dolby Digital / Dolby Pro Logic II / Dolby Virtual Speaker

1. Most of Gaming/Movie Titles Are DVD Format, and Encoded with Dolby Digital 5.1 Technology, Multi – Channels Sound. Need to Have SeaTurtle, with Dolby Digital Decoder to Have Original Sound Play back.
2. Sound with Analog Interface, with 2 Channels, Maybe Different Format, Like Dolby Pro logic II with Wii™ and Lt Rt from other Devices , Dolby Pro Logic II with simulate these 2 Channels into 5.1 Channels.
3. Dolby Virtual Speaker, either Multi-Channel Sounds from Dolby Digital or Dolby Pro Logic II ,Dolby Virtual Speaker Processing will Down Mix these Multi-Channels into 2 Channel without Lost Data, and Use 2.1 Speaker Playback these Multi-Channels Sound with Surrounding Effect.

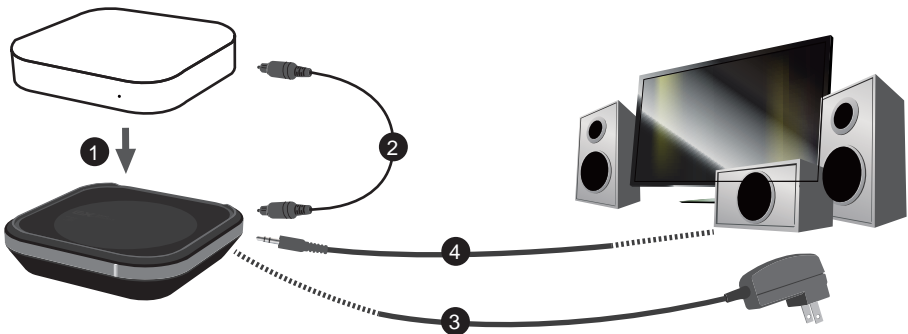
Dolby Surround Sound



More Information Please Visit - www.Dolby.com

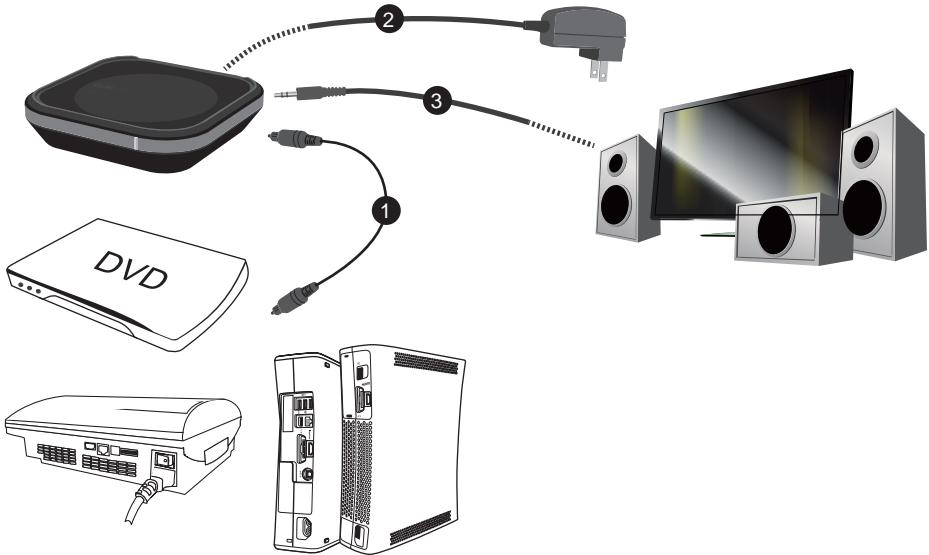
Connect to Apple TV

1. Place Apple TV on SeaTurtle.
2. Connect SeaTurtle with Apple TV with Optical Cable.
(Note: Make sure the following setting is done: Settings- Audio/Video- Dolby Digital and turn "on.")
3. Switch The Input Device Selection to "Apple TV."
4. Input Power with The Power Adaptor.
5. Connect 2.1 Channel Speakers with SeaTurtle by Plugging to Speaker Out Jack.
6. Power on Apple TV, and SeaTurtle Will Automatically Power on When Receiving The Signal.



Connect to Other Set-top Box / DVD / XBOX 360[®] / PS3[™]

1. Connect SeaTurtle with Other Set-top Box / DVD / XBOX 360[®] / PS3[™] with Optical Cable.
2. Switch The Input Device Selection to "OTHERS."
3. Input Power with the Power Adaptor.
4. Connect 2.1 Channel Speakers with SeaTurtle by Plugging to Speaker Out Jack.
5. Power on Set-top Box/ DVD, and SeaTurtle will Automatically Power on When Receiving The Signal.



Important information

PlayStation, PlayStation 2, PlayStation 3, PS2, PS3 and the respective images/logos are registered trademarks of Sony Computer Entertainment Inc. XBOX, XBOX360, XBOX Advanced AV Pack, XBOX Communicator, XBOX Live and the respective images/logos are registered trademark or trademarks of Microsoft Corporation in the U.S and/or other countries. All other trademarks are property of their respective owners.

Wii and the respective images/logos are registered trademarks or trademarks of Nintendo Phuten CO, Ltd.

Apple TV and the respective images/logos are registered trademarks of Apple Computer Inc.

Manufactured under license from Dolby Laboratories. Dolby, Pro Logic, and the double-D symbol are trademarks of Dolby Laboratories.

